

WHIRLPOOL BRAND COMMERCIAL DRYERS

PORCELAIN FINISH

Porcelain finish on top with integrated backsplash, resists chipping and scratching.

LARGE CAPACITY METERCASE

- Larger coin box for reduced collections.
- Accepts coin slides, coin drops, card readers and can be set up for OPL non-coin use.

LARGE 6.7 CU. FT. DRUM CAPACITY

The increased capacity allows for large loads of clothes to tumble and spread out, saving you and your customers drying time and expense.

SIDE SWING REVERSIBLE OPENING DOOR

- Extra-large opening
- See through door window and screen

MICROPROCESSOR CONTROLS

- Time remaining display
- Front controls for ease-of-use
- Debit card compatible
- Time of Day Pricing

AIRFLOW SYSTEM

Whirlpool® commercial dryers blower system increases air velocity. This increases efficiency, heating element life, and improves installation. You can now vent up to 100 ft. with 3 elbows, and 1 angled hood for versatility.

4-WAY VENTING

4-Way venting from left or right side, back or bottom.

LARGE LINT FILTER

Pull-out, 84 square inch steel mesh lint filter.

1/3 HP MOTOR

1/3 HP motor with overload protection.

COMMERCIAL DRYER

Featuring Microprocessor Controls



Shown with optional pedestal, coin drop and box.

CEW9100VQ – 27" Electric Dryer with Metercase

YCEW9100VQ – 27" Canadian Electric Dryer with Metercase

CGW9100VQ – 27" Gas Dryer with Metercase

Machine accepts the Following Payment Systems (not included):

- Coin Slide
 - Retrofit Coin Drop
 - Retrofit Card Reader
 - OPL Non-Coin Money Acceptor And Coin Box Covers
- Front Control Panel 24° Angle
 - Side-Swing Reversible Door
 - Porcelain Finish on Top with Backsplash Resists Chipping and Scratching
 - Front-Service Accessibility
 - Gas Model Features a 24K BTU Burner
 - Motor: 1/3-HP with Built-In Overload Protector; Centrifugal Switch Turns Off Heating Element in the Event of a Broken Belt
 - **3 Year Limited Parts Only Warranty**
 - **Money Acceptors Sold Separately**
- Large 6.7 Cu. Ft. Drum Capacity
 - Four Roller Suspension with Permanently Lubricated Bearings
 - Push Button Controls
 - Large Lint Screen (84 Sq. In.)
 - Blower Guard Reduces Service Calls

*Call 1-800-NO-BELTS for warranty details

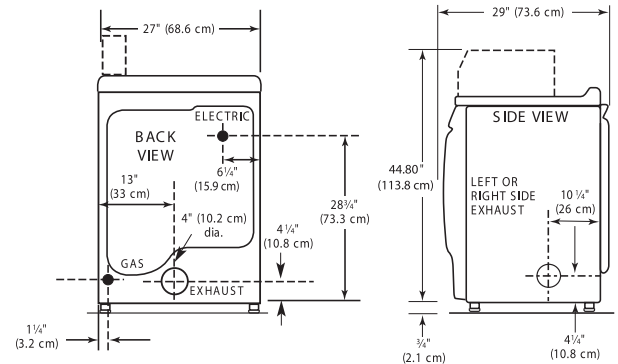
COMMERCIAL DRYER SPECIFICATIONS

Whirlpool® Extra-Large Capacity Dryer MICROPROCESSOR CONTROLS

DRYER SPECIFICATIONS

MODEL	CEW9100VQ/ YCEW9100VQ/ CGW9100VQ
MOTOR	
Single-phase, thermoprotected against overload, auto-reset	
HP (kw)	1/3 (.25)
CAPACITY	
Cu. ft. (liters)	6.7 (189.7)
DOOR OPENING DIAMETER	
In. (mm)	18.25 (463.5)
AIRFLOW	
Gas models — cfm (cmm)	230 (6.5)
Electric models — cfm (cmm)	215 (6.1)
ELECTRICAL REQUIREMENTS	
CEW/YCEW model — voltage	240V/60Hz
CGW model — voltage	120V/60Hz
BREAKER/FUSE REQUIREMENTS	
CEW/YCEW model — amps	30
CGW model — amps	15
EXHAUST DUCT DIAMETER	
In. (mm)	4 (101.6)
ELECTRONIC BURNER IGNITION	
CGW model	•
HEATING ELEMENT RATING	
CGW model — BTU/hr. (kcal/hr.)	24,000 (6,048)
CEW model — Electric Heating Element - watts	5,600
YCEW Canadian model — Electric Heating Element - watts	5,250
GAS INLET	
CGW model — in.	3/8 N.P.T.
ADJUSTABLE LEVELING LEGS	
CGW model	•
APPROXIMATE WEIGHT	
Crated — lbs. (kg)	163 (73.9)
Uncrated — lbs. (kg)	150 (68)
DIMENSIONS	
Width — in. (mm)	27 (685.8)
Depth — in. (mm)	29 (736.6)
Height — in. (mm)	44.80 (1137.92)*

* Height at metercase top does not include pedestal.
See specific instructions for proper installation. Because of continuous product improvement, Whirlpool reserves the right to change specifications without notice.
Power cord on electric model sold separately; Canadian power cord shipped with unit.
LP Conversion Kit #W10135245.
4" Pedestal Single Box Kit #WHP0400VW
4" Pedestal Pack of 10 Kit #WHP0401VW
10" Pedestal Single Kit #WHP1000SQ



Dimensions are for planning purposes only.
See Whirlpool® INSTALLATION INSTRUCTIONS for full details.

MAXIMUM EXHAUST DUCT LENGTH PER NUMBER OF TURNS

Number Of 90° Turns	Rigid Metal Vent	
	Box Hood and Louvered Style	Angled Hood Style
0	135 ft. (41.2 m)	129 ft. (39.3 m)
1	125 ft. (38.1 m)	119 ft. (36.3 m)
2	115 ft. (35.1 m)	109 ft. (33.2 m)
3	106 ft. (32.3 m)	100 ft. (30.5 m)
4	98 ft. (29.9 m)	92 ft. (28.0 m)

Number Of 90° Turns	Flexible Metal Vent	
	Box Hood and Louvered Style	Angled Hood Style
0	76 ft. (23.2 m)	62 ft. (18.9 m)
1	71 ft. (21.6 m)	57 ft. (17.4 m)
2	67 ft. (20.4 m)	53 ft. (16.2 m)
3	65 ft. (19.8 m)	51 ft. (15.6 m)
4	63 ft. (19.2 m)	49 ft. (14.9 m)



NEW YORK CITY
M.E.A.



3 YEARS LIMITED PARTS ONLY WARRANTY

For a period from the date of original purchase through the time listed above, the designated parts that fail in normal commercial use will be repaired or replaced free of charge for the part itself, with the owner paying all other costs, including labor, transportation and customs duty. Chemical damage is excluded from all warranty coverage. See complete warranty for details.

To Locate a Distributor Near You, Please Visit www.whirlpoolcommerciallaundry.com/distributor, or call 1-800-NO-BELTS

®Registered trademark/™Trademark of Whirlpool, U.S.A. ©2009 Whirlpool Corporation. All rights reserved.
Whirlpool Corporation • Benton Harbor, Michigan 49022 U.S.A.